



PO Box 429 ■ 300 Court Place  
 Fostoria, Ohio 44830  
 800-228-6671 ■ 419-435-6671  
**419-435-5688 FAX**  
**sales@senecamillwork.com**



DATE	
PO #	

Signature Craftsmanship

### FLEXIBLE MOLDING ORDER FORM

BILL TO:	
COMPANY	
ATTENTION	
ADDRESS	
ADDRESS	
CITY	
STATE/ZIP	
PHONE NO	
FAX NO	
EMAIL	

SHIP TO:	
<input type="checkbox"/> Same as billing address	
COMPANY	
ATTENTION	
ADDRESS	
ADDRESS	
CITY	
STATE	
ZIP	
PHONE NO	

**SHIP BY:**     UPS Ground     UPS Next Day Air     UPS 2nd Day Air     UPS 3rd Day  
 Other \_\_\_\_\_

Air delivery is added to invoice. Authorization is required.  
 Signature \_\_\_\_\_

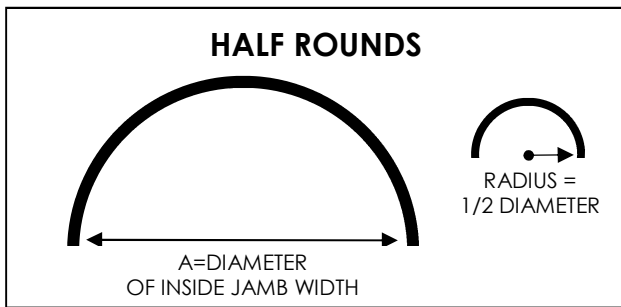
**SPECIES\*:** Mark "Paint Grade" if molding will be painted; if it will be stained, indicate the species (oak, pine, etc.)  
**IMPORTANT NOTE!** Not all moldings are available in wood grain—contact us for species availability.

**STRAIGHT LENGTH FLEXIBLE MOLDINGS**

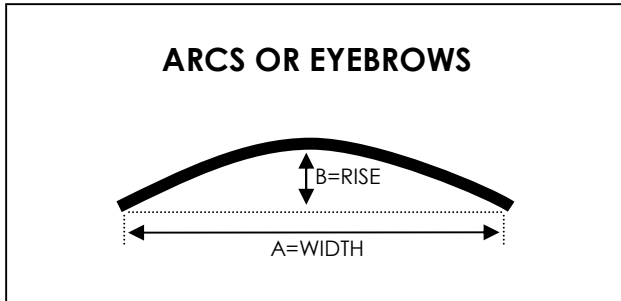
Straight lengths have application limitations. Please call to determine the best solution for your requirements.

Standard molding lengths are 12 ft. Other lengths are custom.

QTY	PROFILE	PAINT GRADE	SPECIES*	LENGTH



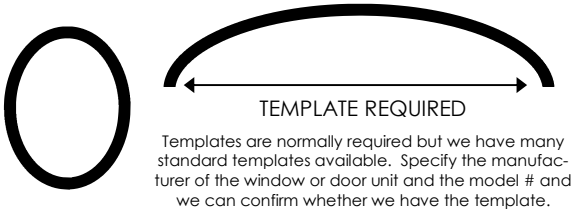
QTY	PROFILE	PAINT GRADE	SPECIES*	DIAMETER (A)



QTY	PROFILE	PAINT GRADE	SPECIES*	WIDTH (A)	RISE (B)

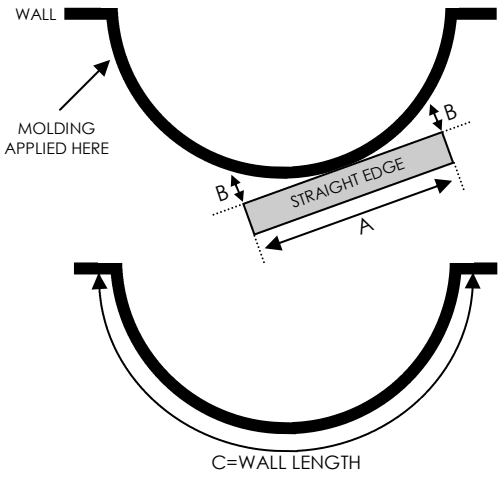
PROJECT DESCRIPTION	

SIGNATURE REFLEX ORDER—PAGE 2	
DATE	
PO #	
COMPANY	

ELLIPSES & OVALS	QTY	PROFILE	PAINT GRADE	SPECIES*	DIMENSIONS	WINDOW/DOOR MFGR	MODEL NO
							

### OUTSIDE RADIUS APPLICATIONS—CONVEX

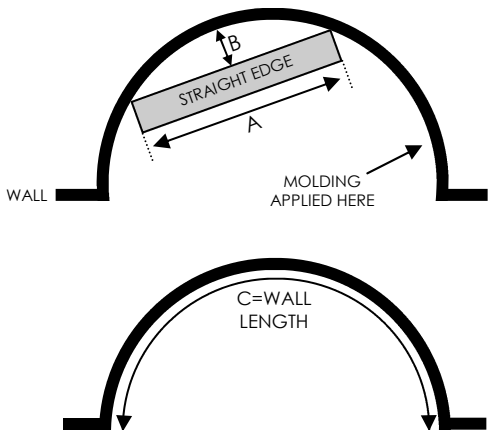
- Measure the length of the straight edge (A). Find the center and place it against the curve of the wall until the left and right edges are equal distances from the wall.
- Measure the distance from the corners of the straight edge to the wall (B).
- Measure around the curve to get the wall length (C).



NEED: A=STRAIGHT EDGE LENGTH; B=DISTANCE FROM STRAIGHT EDGE TO WALL; AND C=WALL LENGTH

### INSIDE RADIUS APPLICATIONS—CONCAVE

- Measure the length of the straight edge (A). Place it against the curve of the wall until the left and right sides touch the wall.
- Measure the distance from the center of the straight edge to the wall (B).
- Measure around the curve to get the wall length (C).



NEED: A=STRAIGHT EDGE LENGTH; B=DISTANCE FROM CENTER OF STRAIGHT EDGE TO WALL; AND C=WALL LENGTH

QTY	PROFILE	PAINT GRADE	SPECIES*	STRAIGHT EDGE LENGTH (A)	DISTANCE FROM STRAIGHT EDGE TO WALL (B)	WALL LENGTH (C)
<b>OUTSIDE RADIUS APPLICATIONS (CONVEX)</b>						
<b>INSIDE RADIUS APPLICATIONS (CONCAVE)</b>						